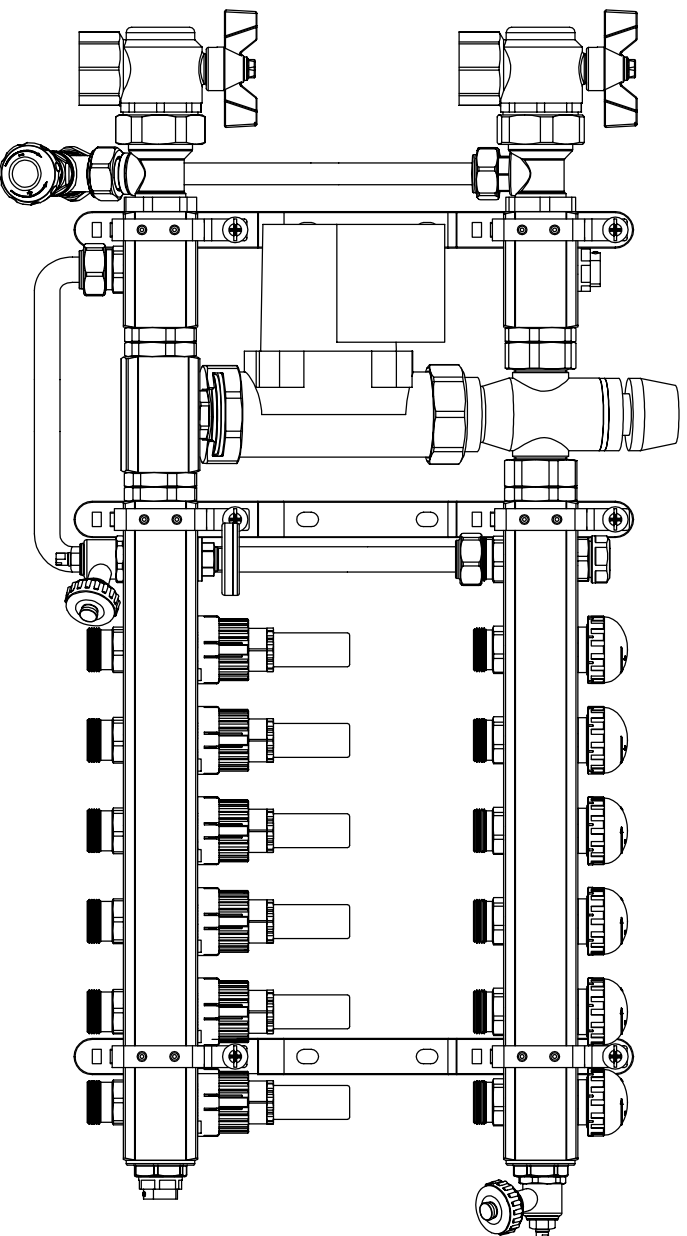


EMMETI PUMPED / MIXED MANIFOLD



Manifold Zones	2	3	4	5	6	7	8	9	10	11	12
Length in mm	488	538	588	638	688	738	788	838	888	938	988

USL

Underfloor Solutions Limited
 Side 7 Swallow Court
 Stimpford Peverell
 Devon
 EX16 7EJ
 Tel: 01392 86441 Fax: 01392 86446
 Email: info@underfloorsolutions.co.uk

EMMETI FULL-MANIFOLD

Not to Scale

LAYOUTING: 000
 DATE: 13/10/08
 DRAWING: TB

10E